

PRODUCT INTRODUCTION

Parking sensors are mounted in car rear bumper. Depending on the size of your car and the coverage required, either a two or four sensor kit will be fitted to your vehicle. They are also colour matched to your vehicle, so you will hardly notice them. They are also easy to fit and you can order them from your dealer. With the parking sensor, you will find a lot of the stress and guesswork is taken out of reversing. Whether it is manoeuvring back into a carspace or reversing out of a driveway, having a built-in warning system at the rear of your vehicle is great security.

A second pair of eyes

Parking sensor uses ultrasonic sensors to help you judge how close you are to the car or object behind. A concealed beeper heard from within the cabin starts to alert you to how much room you have left, beeping faster the closer you get and then emitting a constant tone if you have gone as close as you should.

It pays for itself

Just a small ding in your bumper can cost hundreds of dollars to fix, so even if parking sensor saves you from just one dent or scratch, it could pay for itself. But chances are it will reward you time and time again, and save you the inconvenience of having your car off the road for repairs, or possibly affecting your no-claim bonus.

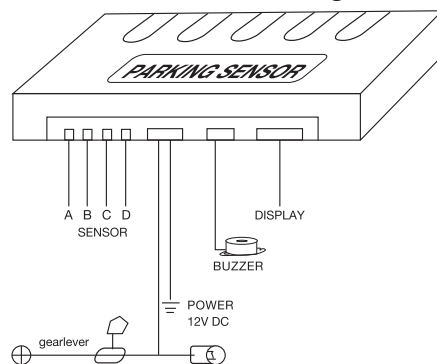
Park with confidence

Parking sensor is a stress for many drivers, but with parking sensor taking the guesswork out of reversing you'll be amazed at how much easier it becomes. It's like having someone guide you into every parking spot, day or night, rain or sunshine.

Note: Parking sensor is a driver assistance device only. It should not be used as a substitute for cautions and safe parking practices. Drivers must always visually monitor and area into which a vehicle is being reversed. Always keep reversing speeds under 5Kmph.

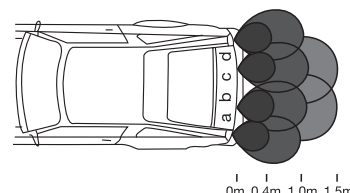
On account of use of microcomputer and wireless-scan, the display can work automatically when backing a car. Three kind of special voice and the tricolor LED present you in time the space between your car and the obstacle behind your car.

Connection diagram



Working Principle

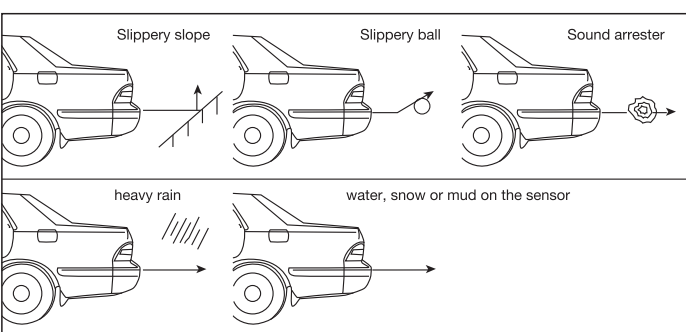
- When the gearlever is placed to the position of reverse, it begins to work, in case the objection was founded, the buzzer will alarm to remind of the driver.
- Voltage: DC10V-15V
power: 4w(max)
Temperature: -40 C~+80 C
Detecting range: 0.1m-1.5m
Volume: 85dB
- detecting space:



Space to the objection	voice of the alarm	led display
150cm-----100cm	Bi--Bi--Bi-- Long interval	green
100cm-----40cm	Bi--Bi--Bi--Bi-- short interval	orange
40cm-----10cm	Bi Bi Bi Bi Bi Bi and continet	red

(Space error+/-2cm at the temperature of 20C by reference of a metal stick objection of 5cm.)

4. The objection difficult to be founded:

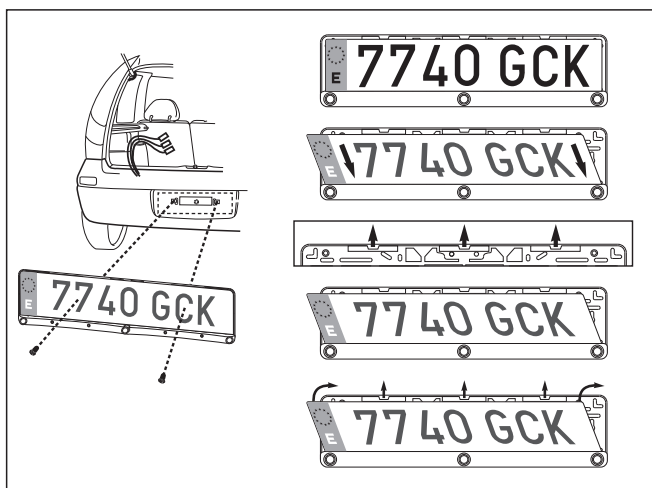
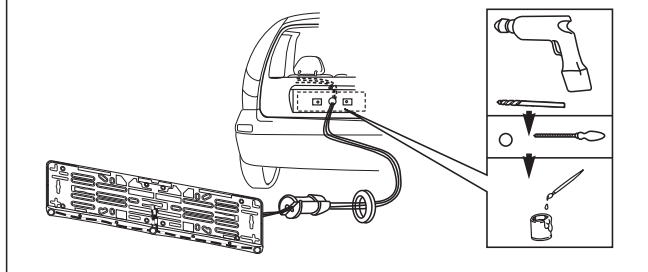
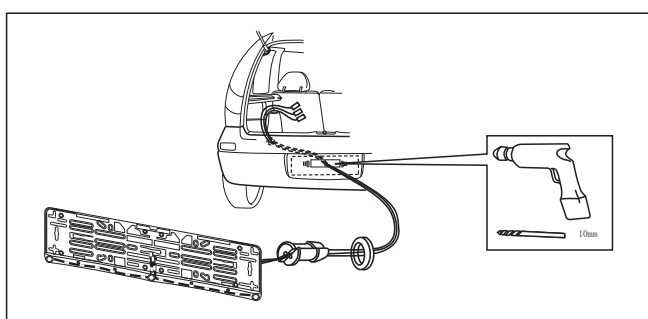
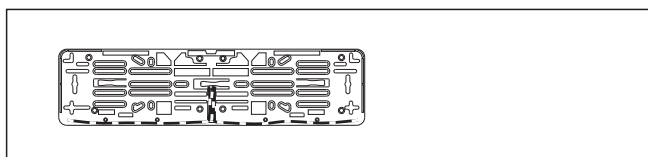


5. Notice:

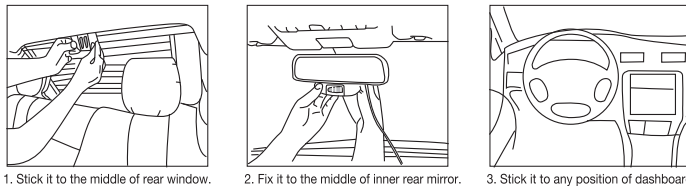
Please remove the water, snow or mud on the sensor in time. Avoid cutting off and extending the sensor wire.

Installation

A: Install license plate frame



B: Install the led display



C: Connect to the power source

- Connection of the red wire
Connect the red wire of the two-wire plug to the anode (+) of reversing light
- Connect the black wire
Connect the black wire of the two-wire plug to the bodywork.
- Fix the connection point with the insulating tape.

D. Install the module and the buzzer

- Stick the buzzer with the enclosed double-face tape to a place where the alarming voice can be easily headed by the driver.
- The module must be installed at the dry and free of high temperature places with the double-face tape.

E. Test

- Turn on the auto power, the alarm will begin to work when backing a car and reversing light flashing.
- Slowly back the car to the obstacle to train the sense of space between the car and the obstacle, train until you can use it soundly.

F. Settle the easy problems

- The power is turned on, but the obstacle cannot be detected
 - Check against the correction of the anode and cathode of the power.
 - Examine whether the power connect well to the auto power
 - Judge that whether the power works well
- The display alarms, but nothing founded behind the car
 - Examine whether the power connect well to the auto
 - Judge whether the sensor is mounted too low, the bumper is too big, if necessary readjustment of the position of the sensor is needed.
 - Check whether there is water, snow or dirt on the sensor
 - When it rains, it is possible to alarm incorrectly
 - Sometimes, on the account of the wringing module, it cannot work normally, when dry, it can work well.

G. Notice in using

- This product is just assistant system, judging the case behind the car abundantly before braking.
- This product has not been designed to connect with the stop system, please brake in time once hear the alarm.
- Slowly reverse the car to avoid hitting the obstacle

- During the first time of using this system, please pay much attention to the obstacle behind the car when backing a car. When the buzzer alarms, be careful of the space between the car and obstacle, if necessary, please get down and have a look, it may be:
 - small obstacle
 - low wall
 - higher border of road
- This product is just assistant equipment for you to reverse a car. We are not responsible for any accident arising from reversing.

Quality Guarantee

This product has been strictly checked prior to the shipment of the company and turns out to be stable and reliable. To stop the unexpected cases, we promise one-year quality warranty from the purchasing date and free of fixing the system broke down under the proper use in presenting of the quality guarantee, but the following cases are not included in our guarantee:

- Because of improper installation
- Disassemble and modify the system without permission
- Artificial damage or loss of parts
- No dealer's seal on the guarantee and maintenance card is blank

Note: we are not responsible for the economic loss from the direct or indirect reasons because of improper installation or using this product.

Guarantee

User:			
Car model:		Car no:	
Add:			
Date of installation:	Month	Day	Year
System model:		System no:	
Dealer (seal):			

IMPORTANT NOTICE - Please Read:

We use its best endeavours to ensure brochure information is correct when published. Ensure the accessory's design, features and colours are available and will fit your vehicle. Accessory colours displayed here are a guide only and may vary from actual colours due to printing / display process. We reserve the right to change, without notice, at any time prices, colours, materials, equipment, specifications and discontinue colours/models. To the extent allowed by law, we will not be liable for any damage, loss or expense incurred as a result of reliance on this brochure.